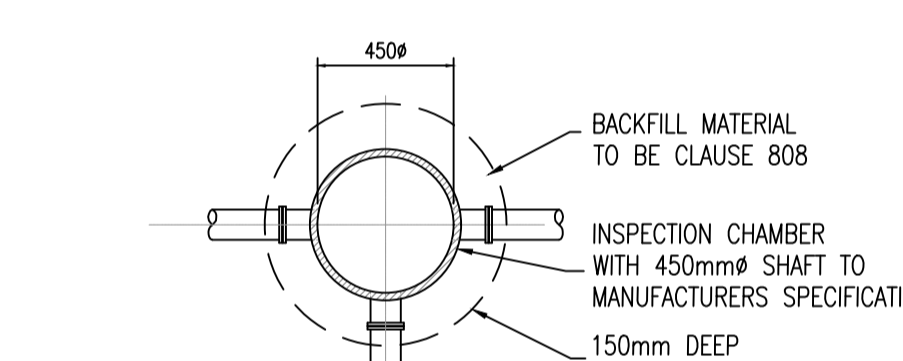
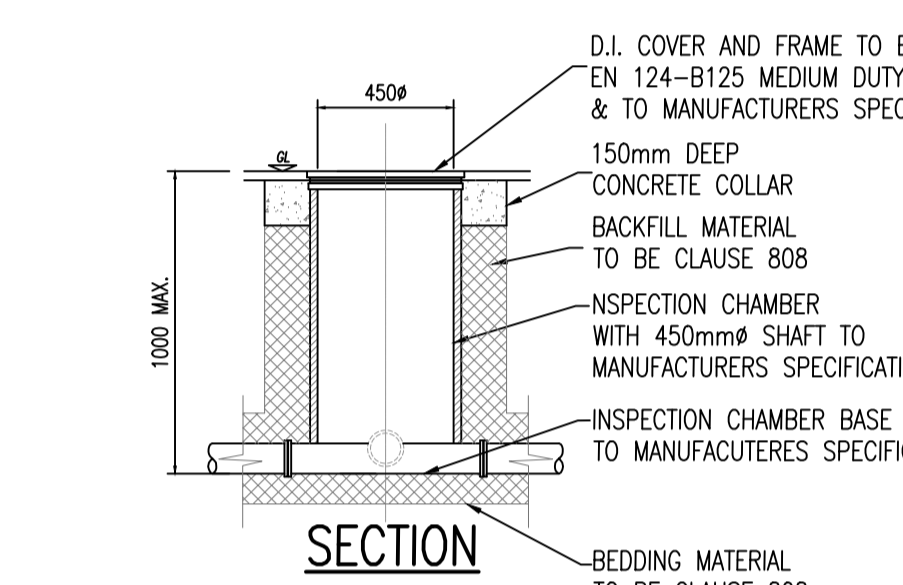
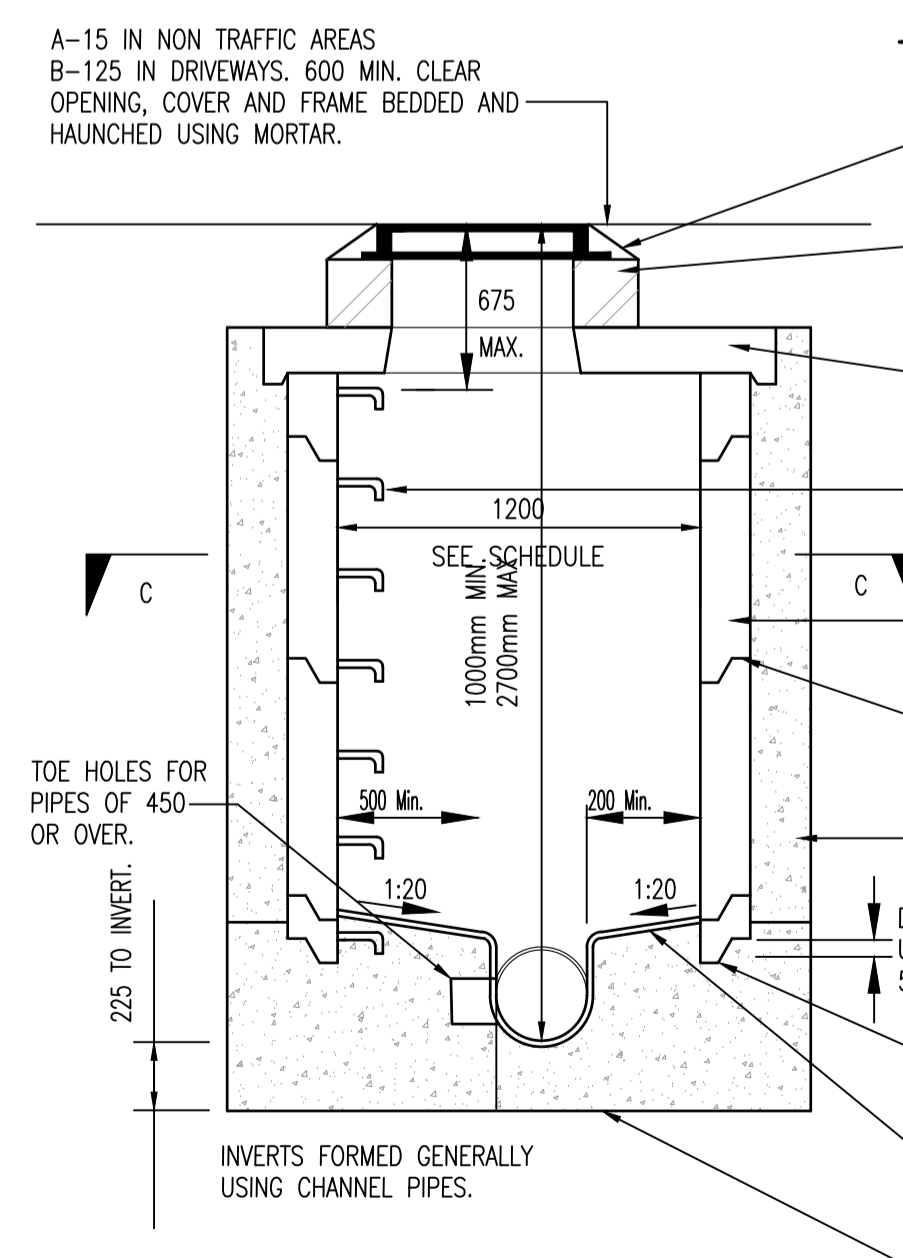


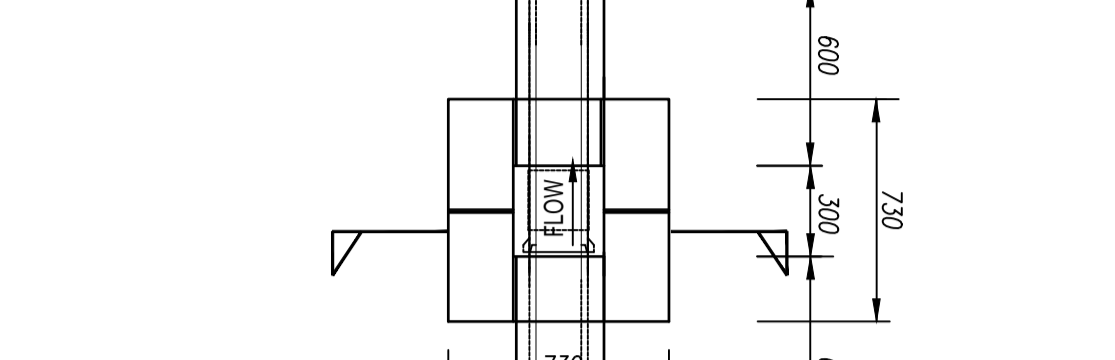
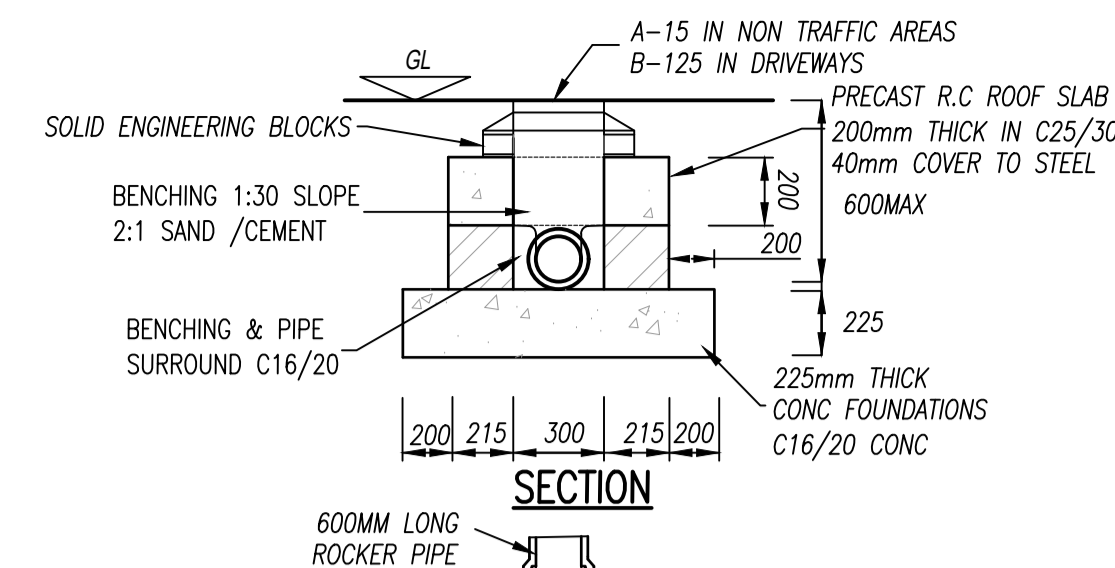
CIRCULAR INSPECTION CHAMBER WHERE INVERT IS 0.6m OR LESS
BUILDING REGULATIONS TGD SECTION H TABLE 9
SCALE 1:25



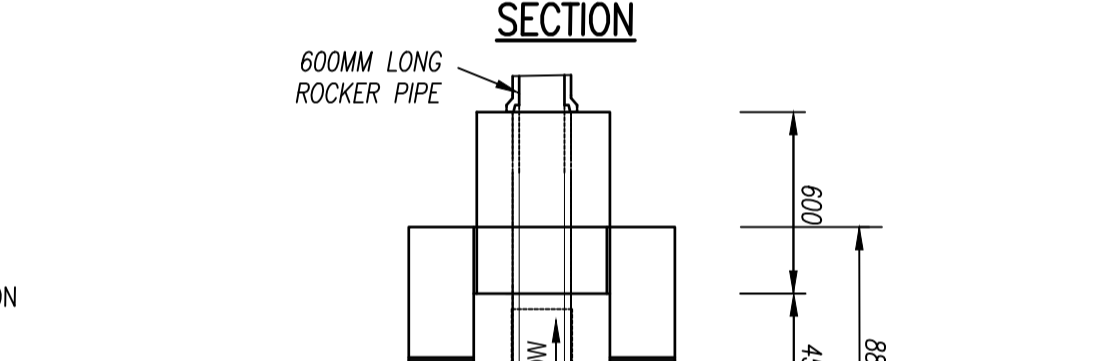
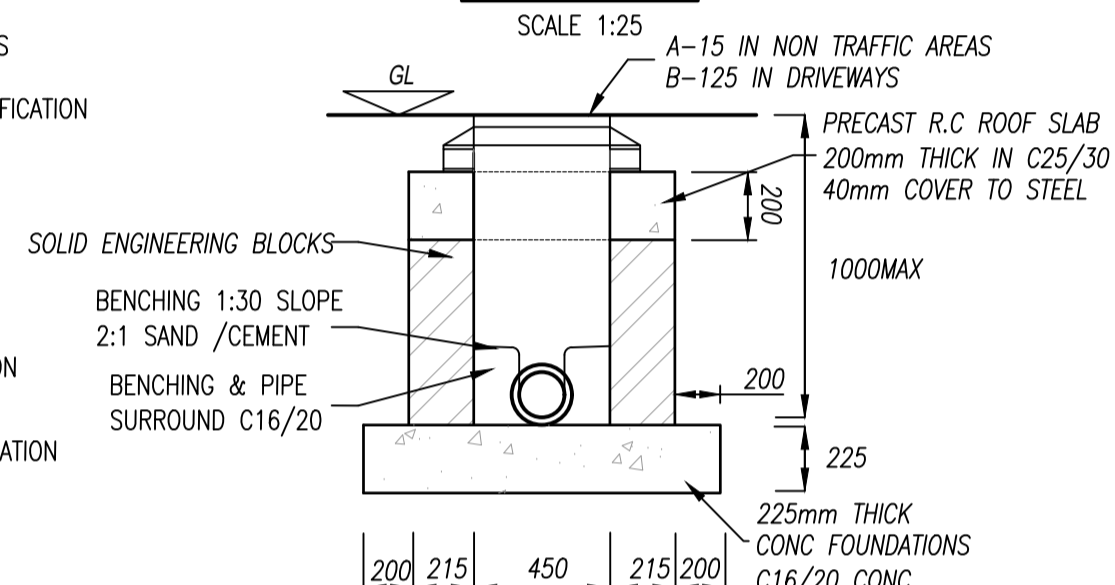
CIRCULAR INSPECTION CHAMBER WHERE INVERT IS 1m OR LESS
BUILDING REGULATIONS TGD SECTION H TABLE 9
SCALE 1:25



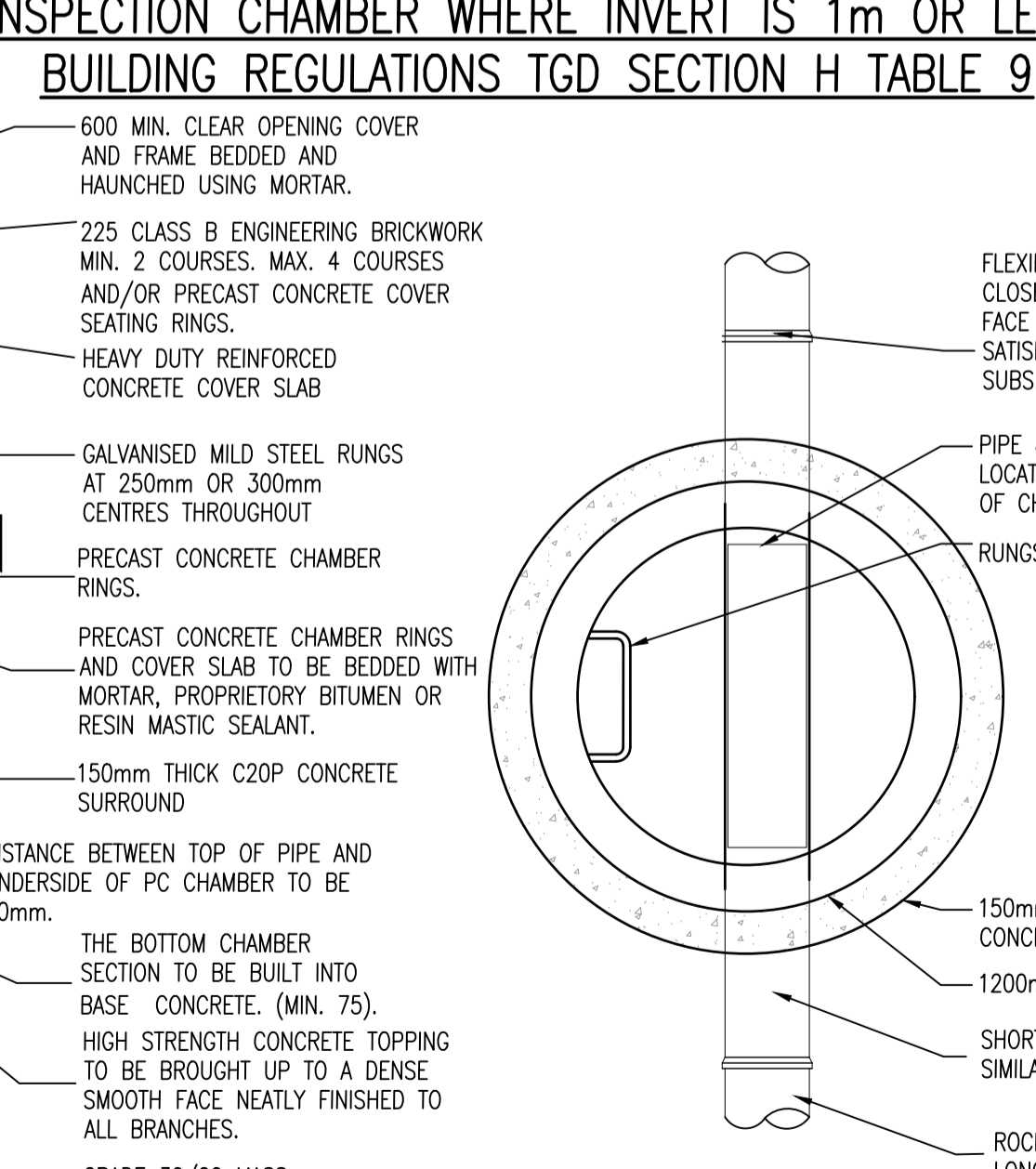
CIRCULAR MANHOLE WHERE INVERT IS BETWEEN 1m AND 2.7m
BUILDING REGULATIONS TGD SECTION H TABLE 9
SCALE 1:25



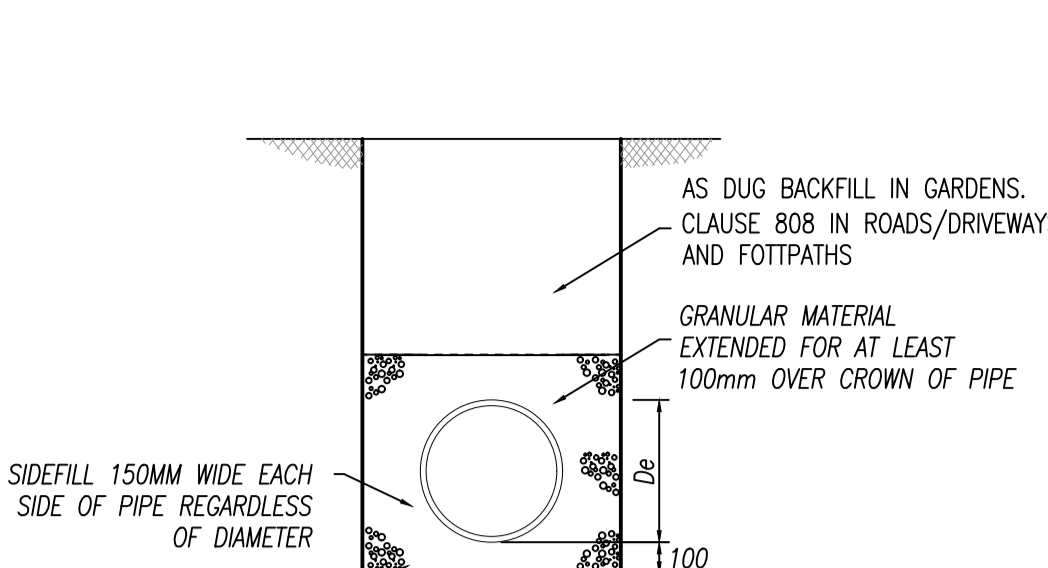
INSPECTION CHAMBER WHERE INVERT IS 0.6m OR LESS
BUILDING REGULATIONS TGD SECTION H TABLE 9
SCALE 1:25



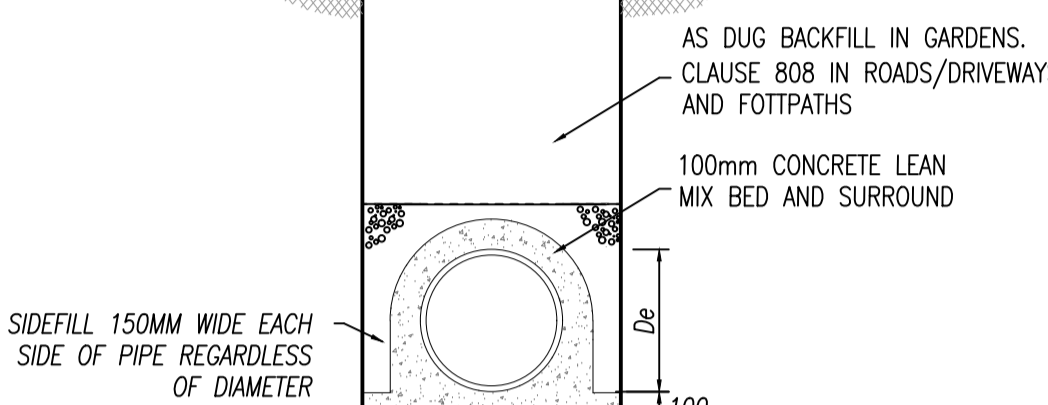
INSPECTION CHAMBER WHERE INVERT IS 1m OR LESS
BUILDING REGULATIONS TGD SECTION H TABLE 9
SCALE 1:25



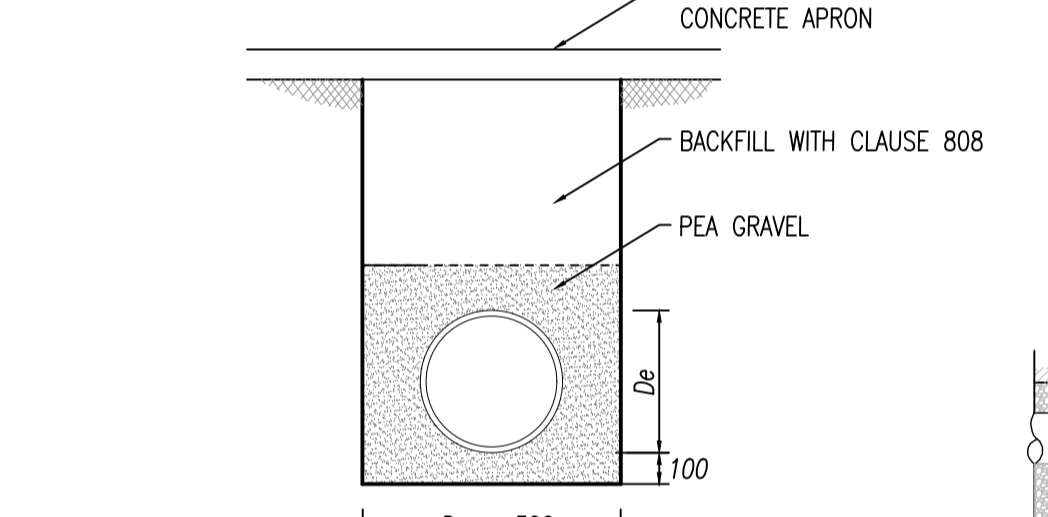
MANHOLE DEPTH TO INVERT IS BETWEEN 1m AND 2.7m
BUILDING REGULATIONS TGD SECTION H TABLE 9
SCALE 1:25



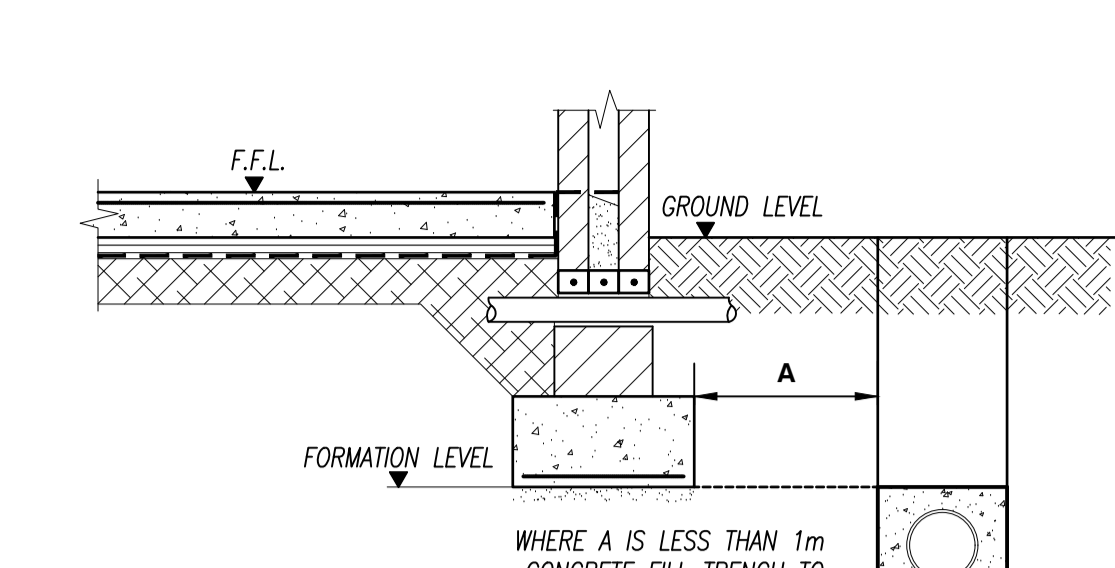
PIPES BEDDED IN GRANULAR MATERIAL
COVER > 0.9m IN ROADS
COVER > 0.6m IN GARDENS
SCALE 1:25



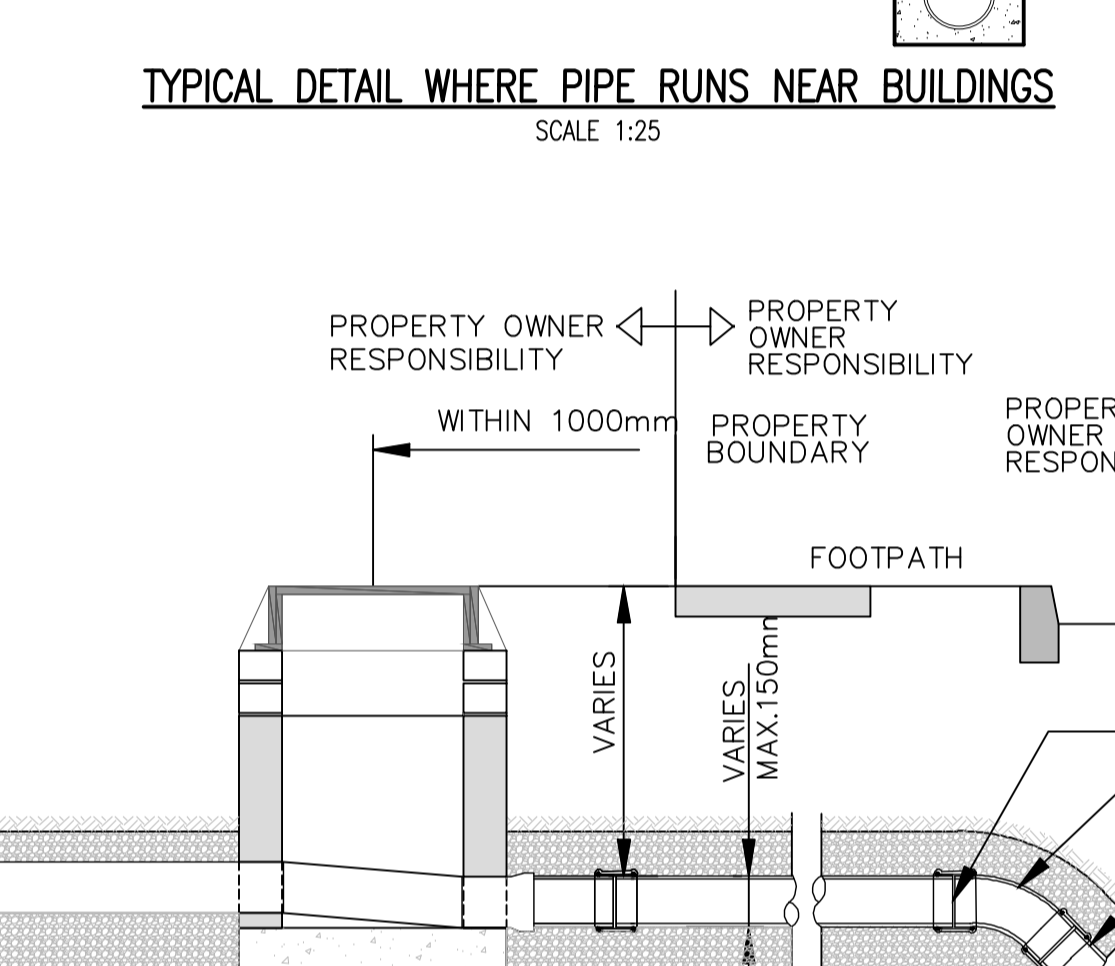
PIPES BEDDED IN CONCRETE
COVER < 0.9m IN ROADS
COVER < 0.6m IN GARDENS
SCALE 1:25



PIPES BEDDING ALTERNATIVE DETAIL
COVER < 0.9m IN ROADS
COVER < 0.6m IN GARDENS
SCALE 1:25



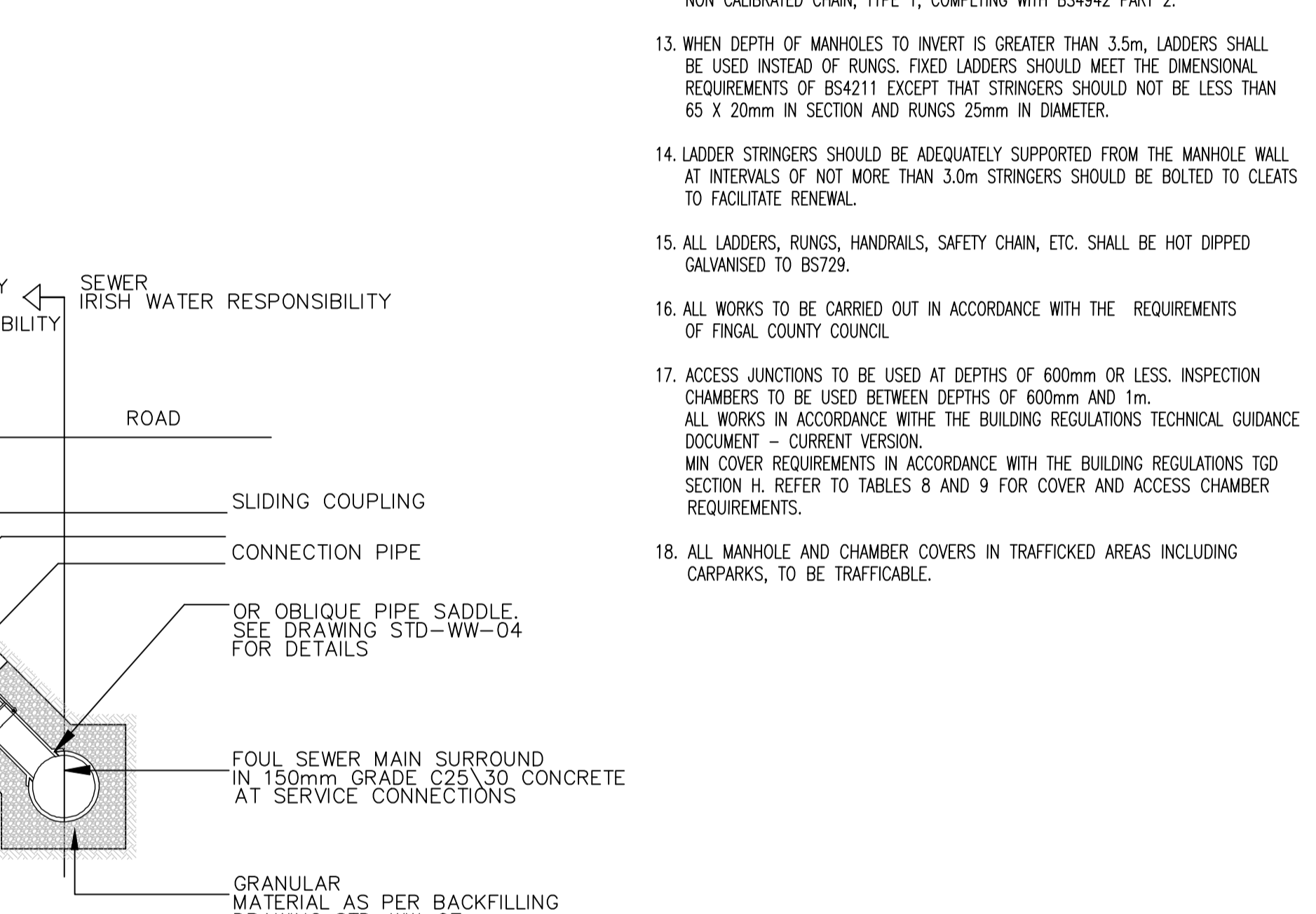
TYPICAL DETAIL WHERE PIPE RUNS NEAR BUILDINGS
SCALE 1:25



PIPE SIZE (mm)	GRADIENT
100	1 : 60
150 TO 225	1 : 150 MINIMUM

PRIVATE DRAIN AND SERVICE CONNECTION PIPEWORK
N.T.S.

- NOTES:
- ALL DIMENSIONS ARE IN MILLIMETRES (mm) UNLESS NOTED OTHERWISE.
 - DO NOT SCALE. USE FIGURED DIMENSIONS ONLY.
 - AN INSPECTION CHAMBER SHOULD BE LOCATED AT OR WITHIN 1m OF THE PROPERTY BOUNDARY AT THE UPSTREAM END OF EACH SERVICE CONNECTION TO THE PRIVATE SIDE OF THE CURTILAGE, IF PRACTICABLE.
 - THIS DRAWING IS TO BE READ IN CONJUNCTION WITH ALL OTHER RELEVANT ARCHITECTURAL AND ENGINEERING DRAWINGS.
 - ANY PIPE AND ASSOCIATED ACCESS UPSTREAM OF THE POINT OF CONNECTION TO A PUBLIC SEWER IS A PRIVATE DRAIN AND SHOULD BE CONSTRUCTED IN ACCORDANCE WITH THE BUILDING REGULATIONS.
 - TYPE A GRANULAR FILL SHALL CONSIST OF WASHED PEA GRAVEL. ALL MATERIAL SHALL PASS A 19mm B.S. SIEVE TEST AND SHALL BE RETAINED BY A 4.75mm B.S. SIEVE TEST.
 - ACCESS POINTS SHOULD BE LOCATED SO THAT THEY ARE ACCESSIBLE AND APPARENT TO THE MAINTAINER AT ALL TIMES FOR USE. THEY SHOULD AVOID REAR GARDENS OR ENCLOSED LOCATIONS AND SHOULD NEVER BE OVERLAIN WITH SURFACE DRESSING, TOPSOIL, ETC.
 - COVERS AND FRAMES SHALL BE SUITABLE FOR ROAD AND TRAFFIC CONDITIONS SUBJECT TO APPROVAL FROM IRISH WATER.
 - 200mm ALL AROUND, 100mm DEEP CONCRETE PLINTH WITH PROTECTIVE STAINLESS STEEL METAL BAND AROUND COVERS IN GREEN AREAS.
 - PROPRIETARY PREFABRICATED CHAMBER UNITS MAY ALSO BE USED, SUBJECT TO APPROVAL FROM IRISH WATER.
 - CONCRETE CHAMBERS SHALL BE SURROUNDED BY A MINIMUM OF 150mm COMPACTED CLAUSE 804 MATERIAL AS PER STD-WW-07.
 - ALL CONCRETE FOR PIPE BEDDING, HAUNCHING AND SURROUNDS SHALL BE GRADE 20N/20.
 - ALL MANHOLES SHALL BE WATERTIGHT TO THE SATISFACTION OF THE ENGINEER.
 - FORMWORK TO REINFORCED CONCRETE AND MASS CONCRETE SHALL BE CLASS F2.
 - CLASS U2 FINISH TO THE TOP OF SLABS. REINFORCEMENT TO SLABS TO ENGINEERS DETAILS.
 - 200mm THICK CL. 30/20 MASS CONCRETE FOUNDATIONS. 225mm THICK PRECAST R.C. ROOF SLAB IN CL. 30/20 CONCRETE. COVER TO STEEL TO BE 40mm.
 - TOE HOLES TO BE PROVIDED IN BENCHING OF SEWERS GREATER THAN 450mm DIAMETER FOR ACCESS TO INVERT. SAFETY CHAIN ON SEWERS 600mm DIAM. OR GREATER MILD STEEL SAFETY CHAIN SHALL BE 10MM. NOMINAL SIZE GRADE M(H) NON CALIBRATED CHAIN, TYPE 1, COMPLYING WITH BS4942 PART 2.
 - WHEN DEPTH OF MANHOLES TO INVERT IS GREATER THAN 3.5m, LADDERS SHALL BE USED INSTEAD OF RUNGS. FIXED LADDERS SHOULD MEET THE DIMENSIONAL REQUIREMENTS OF BS4211 EXCEPT THAT STRINGERS SHOULD NOT BE LESS THAN 65 X 20mm IN SECTION AND RUNGS 25mm IN DIAMETER.
 - LADDER STRINGERS SHOULD BE ADEQUATELY SUPPORTED FROM THE MANHOLE WALL AT INTERVALS OF NOT MORE THAN 3.0m. STRINGERS SHOULD BE BOLTED TO CLEATS TO FACILITATE RENEWAL.
 - ALL LADDERS, RUNGS, HANDRAILS, SAFETY CHAIN, ETC. SHALL BE HOT DIPPED GALVANISED TO BS729.
 - ALL WORKS TO BE CARRIED OUT IN ACCORDANCE WITH THE REQUIREMENTS OF FINGAL COUNTY COUNCIL.
 - ACCESS JUNCTIONS TO BE USED AT DEPTHS OF 600mm OR LESS. INSPECTION CHAMBERS TO BE USED BETWEEN DEPTHS OF 600mm AND 1m. ALL WORKS IN ACCORDANCE WITH THE BUILDING REGULATIONS TECHNICAL GUIDANCE DOCUMENT - CURRENT VERSION. MIN COVER REQUIREMENTS IN ACCORDANCE WITH THE BUILDING REGULATIONS TGD SECTION H. REFER TO TABLES 8 AND 9 FOR COVER AND ACCESS CHAMBER REQUIREMENTS.
 - ALL MANHOLE AND CHAMBER COVERS IN TRAFFICKED AREAS INCLUDING CARPARKS, TO BE TRAFFICABLE.



FOUL WATER INSPECTION CHAMBER FOR LAST PRIVATE MANHOLE
SCALE 1:25
(SHOULD BE LOCATED WITHIN 1M OF PRIVATE/PUBLIC BOUNDARY, IF PRACTICAL)

REV.	DATE	AMENDMENT	DRN	APPD
A	11/04/22	FINAL SHD SUBMISSION	PJD	MD

STATUS: **FOR PLANNING NOT FOR CONSTRUCTION**

Waterman Moylan
Engineering Consultants
BLOCK 5, EASTPOINT BUSINESS PARK, ALFIE BYRNE ROAD, DUBLIN D03 H3F4
Tel: (01) 664 8900 Fax: (01) 661 3618
Email: info@waterman-moylan.ie www.waterman-moylan.ie

CLIENT: **BIRCHWELL DEVELOPMENTS LTD**
ARCHITECT: **MCCROSSAN O'ROURKE MANNING ARCHITECTS**

PROJECT: **BROOMFIELD SHD**

TITLE: **TYPICAL PRIVATE DRAINAGE CONSTRUCTION DETAILS**

DRAWN	DESIGNED	APPROVED	DATE
PJD	MD	MD	NOV '20
SCALE	JOB NO.	DRG. NO.	REVISION
1:25 @ A1	18-091	P222	A